



VANDA RECESS FLUSHBOX

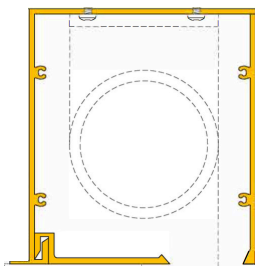
Extrusion & Components *March 2025*



FULL FLUSHBOX

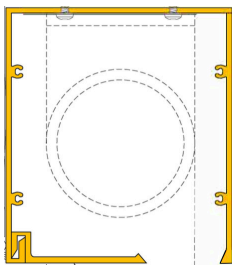


PART BOX



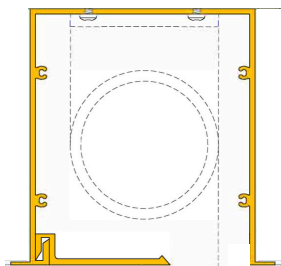
FULL FLUSH BOX EXTRUSION with COVER PLATE

Part No: #VA-FB-100
Comes in 4.2m Lengths



FULL FLANGELESS FLUSH BOX EXTRUSION with COVER PLATE

Part No: #VA-FB-130
Comes in 4.2m Lengths



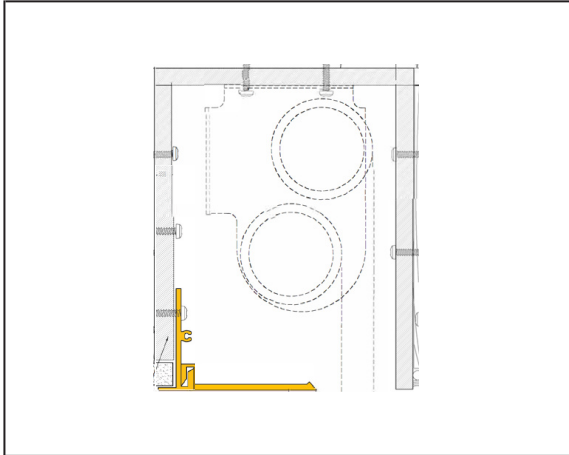
FULL FLUSH BOX (FLANGE ON BOTH SIDES) with COVER PLATE

Part No: #VA-FB-140





VANDA RECESS FLUSHBOX Extrusion & Components March 2025



PART FLUSH BOX EXTRUSION with standard COVER PLATE

Part No: #VA-PB-101 (comes in 4.2m lengths)

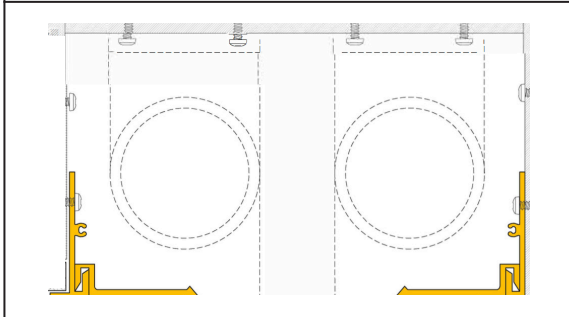
PART FLUSH BOX EXTRUSION with extended COVER PLATE

Part No: #VA-PB-201 (comes in 4.2m Lengths)

Partbox Bracket Extrusion - #VA-PB-100

Cover plate only - #VA-FB-055

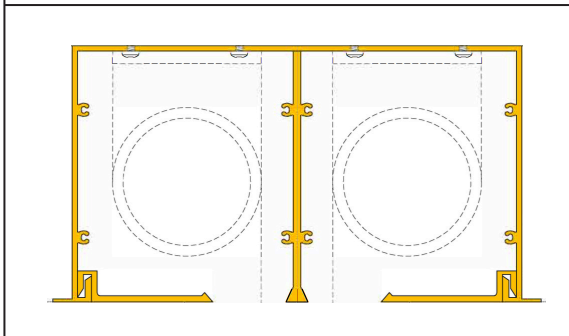
Extended Cover plate only - #VA-FB-075



VANDA DOUBLE BLIND RECESS with PART BOX

Part No: #VA-PB-101 / 2

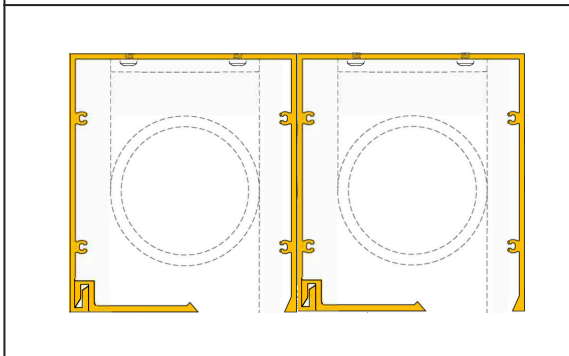
Comes in 4.2m Lengths



VANDA DOUBLE BLIND RECESS with Flange

Part No: #VA-FB-600

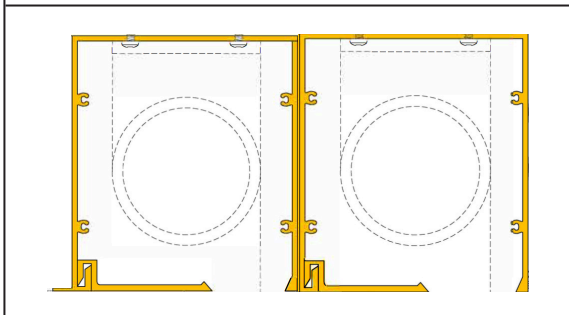
Comes in 4.2m Lengths



VANDA DOUBLE FLUSHBOX MOUNTED SIDE BY SIDE FLANGELESS

Part No: #VA-FB-500

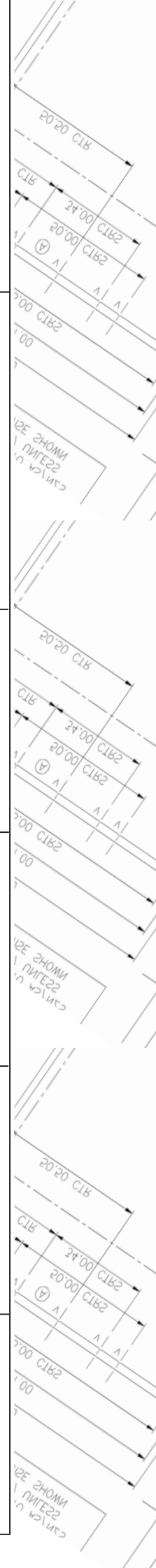
Comes in 4.2m Lengths



VANDA DOUBLE FLUSHBOX MOUNTED SIDE BY SIDE

Part No: #VA-FB-400

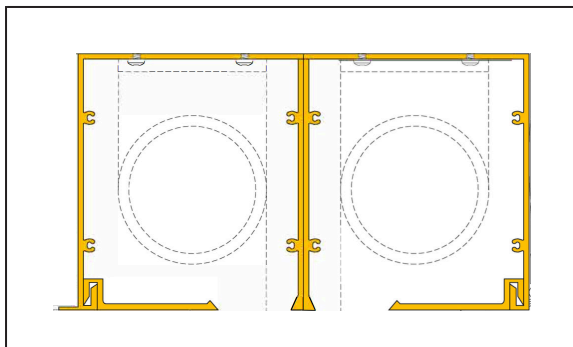
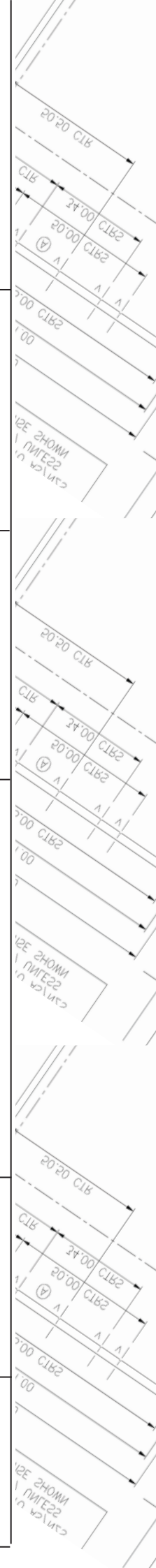
Comes in 4.2m Lengths





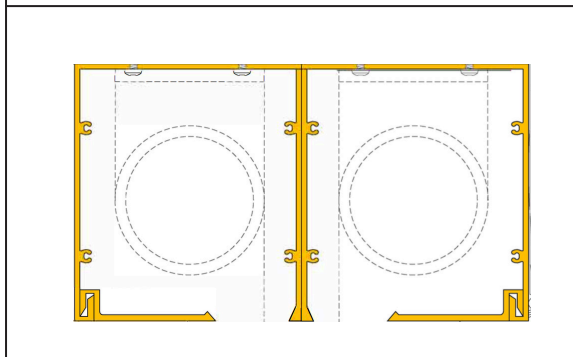
VANDA RECESS FLUSHBOX

Extrusion & Components *March 2025*



VANDA DOUBLE FLUSHBOX MOUNTED SIDE BY SIDE

Part No: #VA-FB-300
Comes in 4.2m Lengths



VANDA DOUBLE FLUSHBOX MOUNTED SIDE BY SIDE FLANGELESS

Part No: #VA-FB-200
Comes in 4.2m Lengths



Single Endcap



Double Endcap

FLUSHBOX END CAPS

Part No: #VA-FB-110 (Supplied as a pair)

FLUSHBOX END CAPS with (FLANGE REMOVED)

Part No: #VA-FB-131 (Supplied as a pair)

FLUSHBOX DOUBLE END CAPS

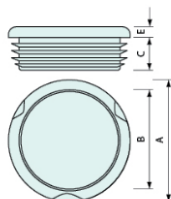
Part No: #VA-FB-220 (Supplied as a pair)

FLUSHBOX DOUBLE END CAPS

(with Flange removed)

Part No: #VA-FB-221 (Supplied as a pair)

A = 42mm
B = 37mm
C = 11.5mm
E = 5mm



PLASTIC CABLE INSULATOR PLUG

Part No: #VA-FB-120
Purchased individually
Available in White or Black



BUTTING PIN

Part No: #VA-FB-150
(to enable precise line up of two butting Flush Box Extrusions) Supplied as a pair