



BRACKET MEASUREMENTS & INFORMATION

for

CURTAIN MAKERS & FITTERS

**Factory & Showroom
Vanda NSW Pty Ltd**

Unit 43, 85-115 Alfred Road, Chipping Norton.NSW.2170

Phone (02) 9755 0390

E-mail: sales@vanda.com.au

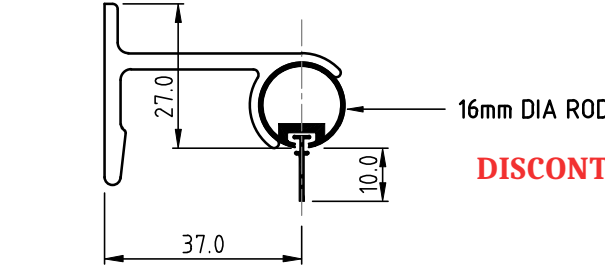


Contents

Page 1	Versatrak 16 Single Brackets
Page 2	Versatrak 16 Combo Single & Double Brackets
Page 3	Versatrak 25 Single Brackets
Page 4	Versatrak 25 Top Fix & Side Fix Brackets
Page 5	Versatrak 25 Combo Single Brackets
Page 6	Versatrak Double Combo Brackets
Page 7	Vantage Single Brackets
Page 8	Wave Rod 25 Single Brackets
Page 9	Wave Rod 25 Double Brackets
Page 10	Wave Rod 32 Single & Top Fix Brackets
Page 11	Wave Rod 32 Double Brackets
Page 12	Wave Rod 35 Single & Top Fix Brackets
Page 13	Wave Rod 35 Double Brackets
Page 14	Wave Rod 25 Double with VT 16 & 25
Page 15	Wave Rod 32 Double with VT 16 & 25
Page 16	Wave Rod 35 Double with VT 16 & 25
Page 17	Concealed Wall Plate & Wave Rod Hanger Bracket
Page 18	Flushfit & Recess Box



VERSATRAK 16 SINGLE BRACKETS

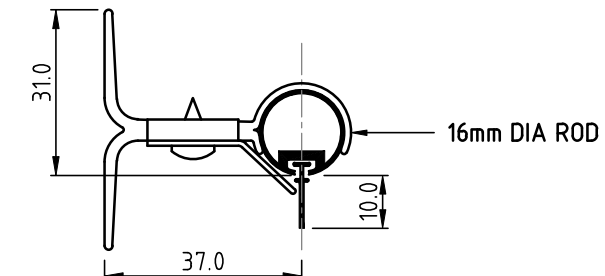


Base Plate : 34mm
Top of base plate to bottom of rod : 27mm
Glide sits 10mm below rod

16mm DIA ROD

DISCONTINUED

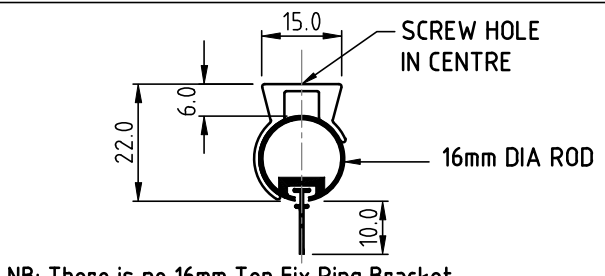
16mm Glide Bracket



Base Plate : 45mm
Top of base plate to bottom of rod : 31mm
Glide sits 10mm below rod

16mm DIA ROD

16mm Glide Bracket with Wedge



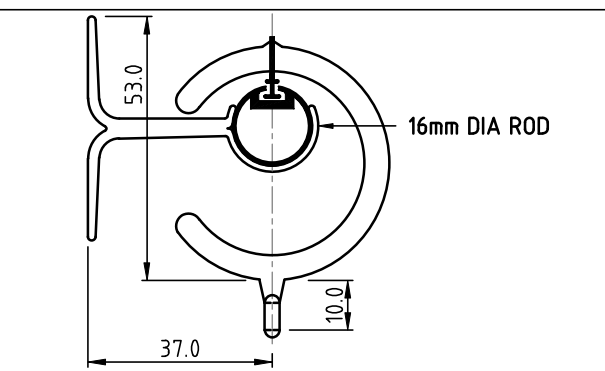
CEILING TO TOP OF ROD : 6mm
CEILING TO BOTTOM OF ROD : 22mm
GLIDE SITS 10mm BELOW ROD

16mm DIA ROD

SCREW HOLE IN CENTRE

NB: There is no 16mm Top Fix Ring Bracket

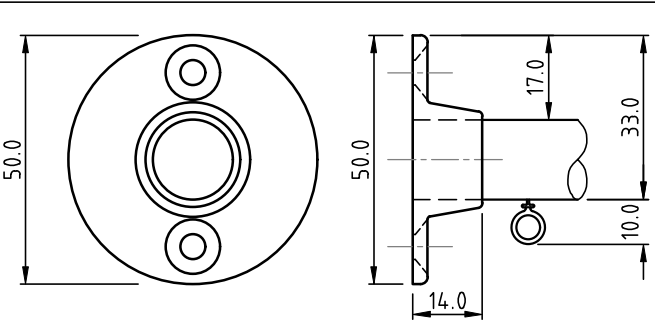
16mm Top Fix Glide Bracket



Base Plate : 45mm
Top of base plate to bottom of 25mm ring : 53mm
Eyelet on ring sits 10mm below rod

16mm DIA ROD

16mm Ring Bracket



Top of base plate to top of rod : 17mm
Top of base plate to bottom of rod : 33mm
Eyelet on ring sits 10mm below rod

16mm End Wall (Flange) Bracket



VERSATRAK 16 COMBO SINGLE & DOUBLE BRACKETS

100.0

16mm DIA ROD

24.0

10.0

Base Plate : 50mm
Top of base plate to bottom of rod : 24mm
Glide sits 10mm below rod

* 16mm - 100mm Glide Bracket

135.0

16mm DIA ROD

24.0

10.0

Base Plate : 50mm
Top of base plate to bottom of rod : 24mm
Glide sits 10mm below rod

* 16mm - 135mm Glide Bracket

135.0

63.0

56.0

16mm DIA ROD

16mm DIA ROD

24.0

10.0

Base Plate : 50mm
Top of base plate to bottom of rear rod : 24mm
Glide sits 10mm below rod

* 16mm / 16mm Double Glide Bracket

135.0

70.0

65.0

16mm DIA ROD

25mm DIA ROD

24.0

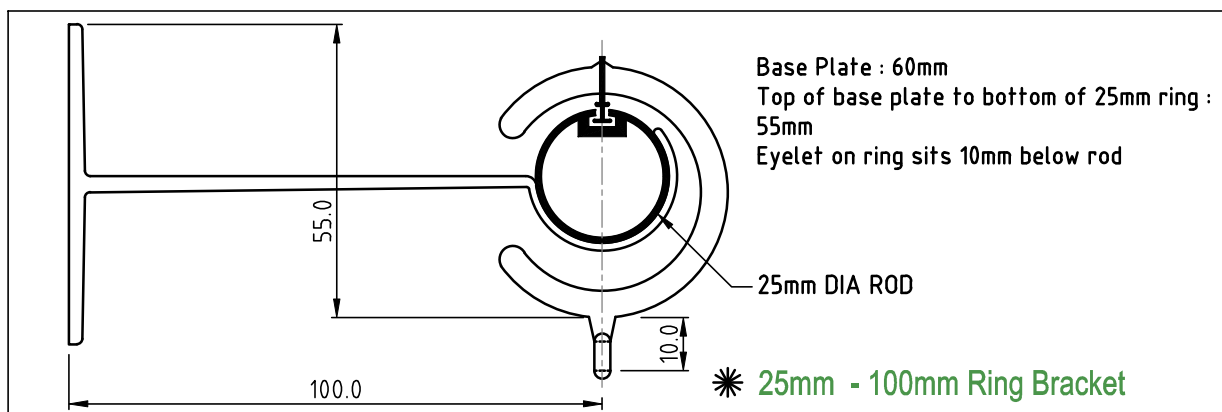
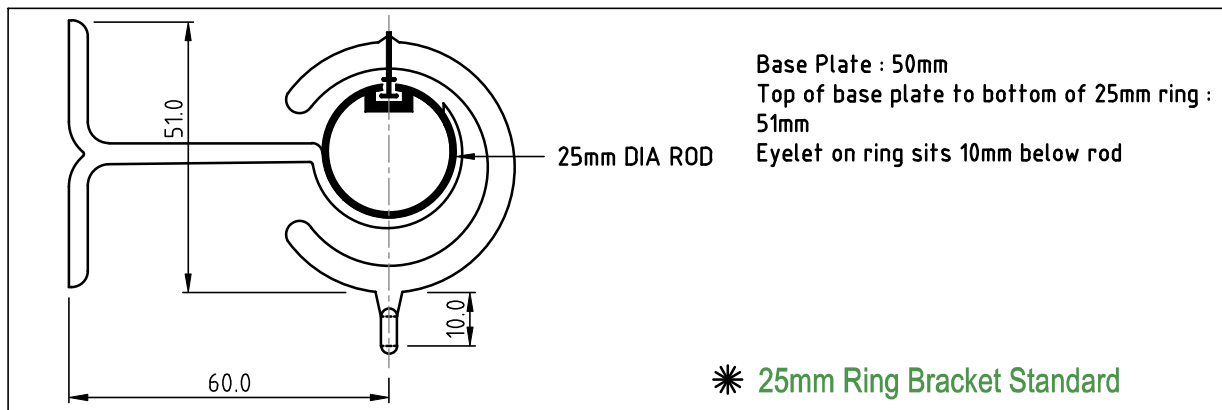
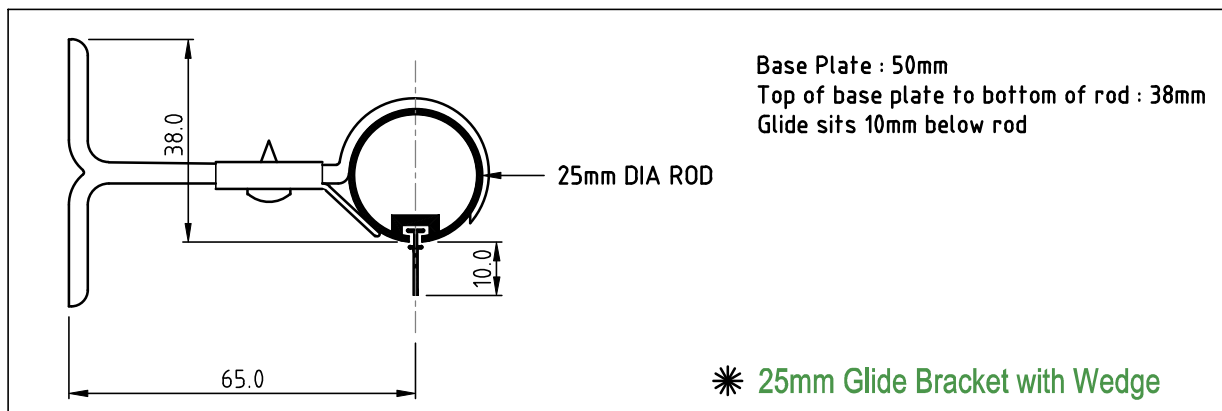
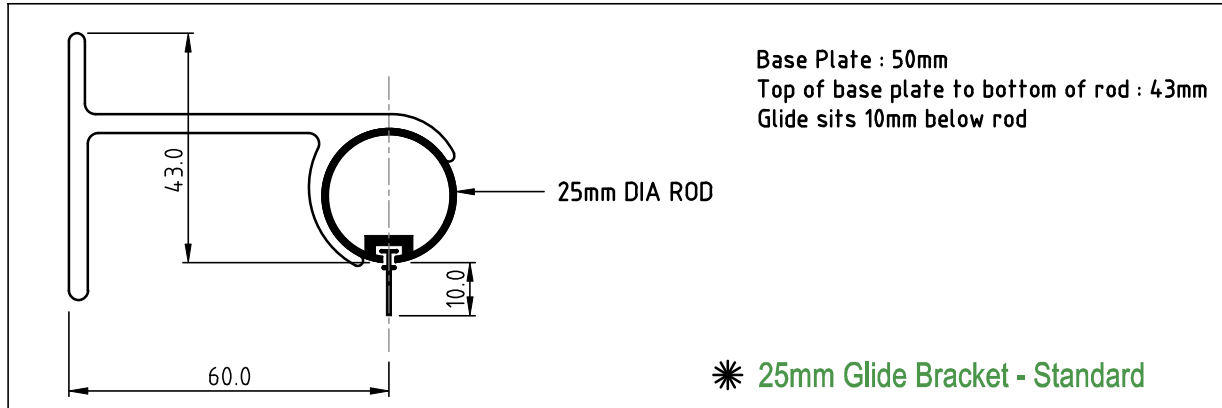
10.0

Base Plate : 50mm
Top of base plate to bottom of rear rod : 24mm
Glide sits 10mm below rod

* 16mm / 25mm Double Glide Bracket

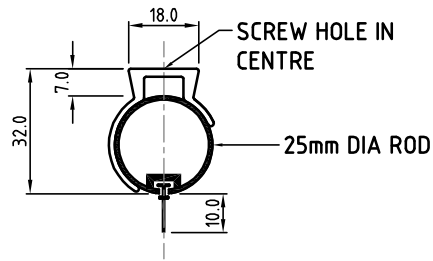


VERSATRAK 25 SINGLE BRACKETS



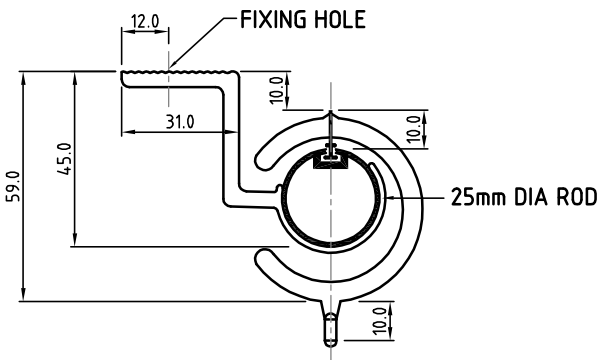


VERSATRAK 25 TOP FIX & SIDE FIX BRACKETS



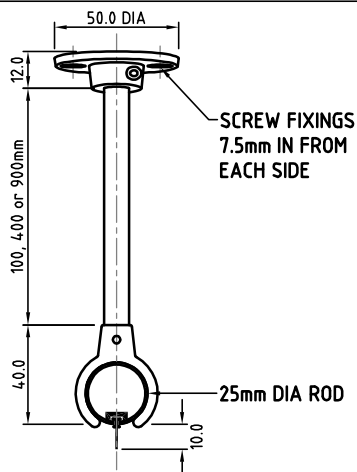
Ceiling to top of rod : 7mm
Ceiling to bottom of rod : 32mm
Glide sits 10mm below rod

25mm Top Fix Glide Bracket



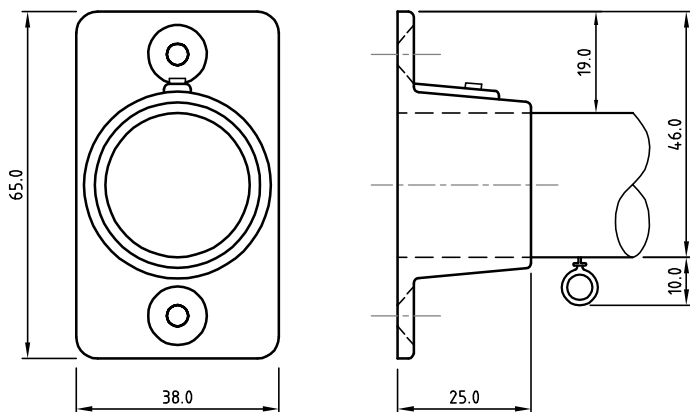
Ceiling to top of rod : 20mm
Ring/Glide sits 10mm above rod/10mm below ceiling
Ceiling to bottom of rod : 45mm
Ceiling to bottom of ring : 59mm
Eyelet on ring sits 10mm below ring

25mm Top Fix Ring Bracket



Ceiling Wall Plate : 50mm DIA
Dropper available in 100mm, 400mm and 900mm drops
Top of ceiling to bottom of ceiling flange : 12mm
Top of bracket fixing to bottom of rod : 40mm
Glide sits 10mm below rod

25mm Hanger Glide Bracket

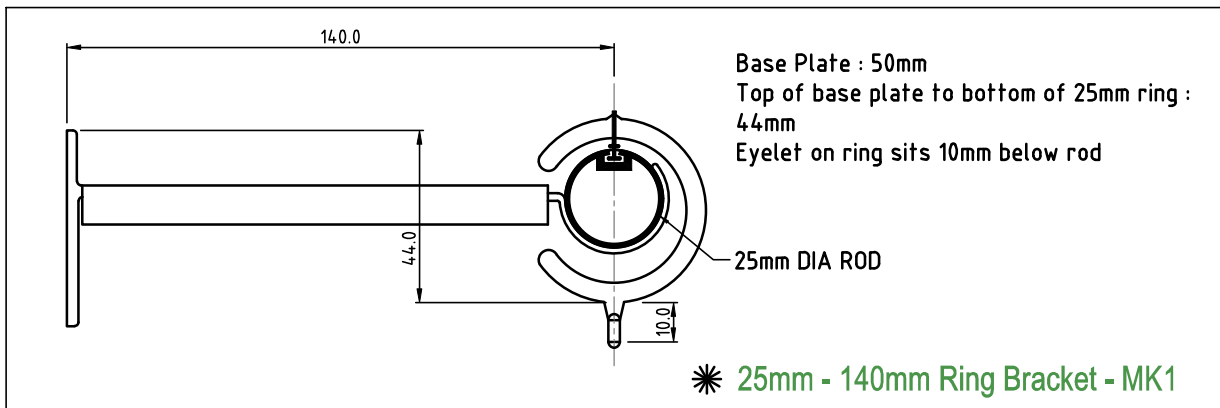
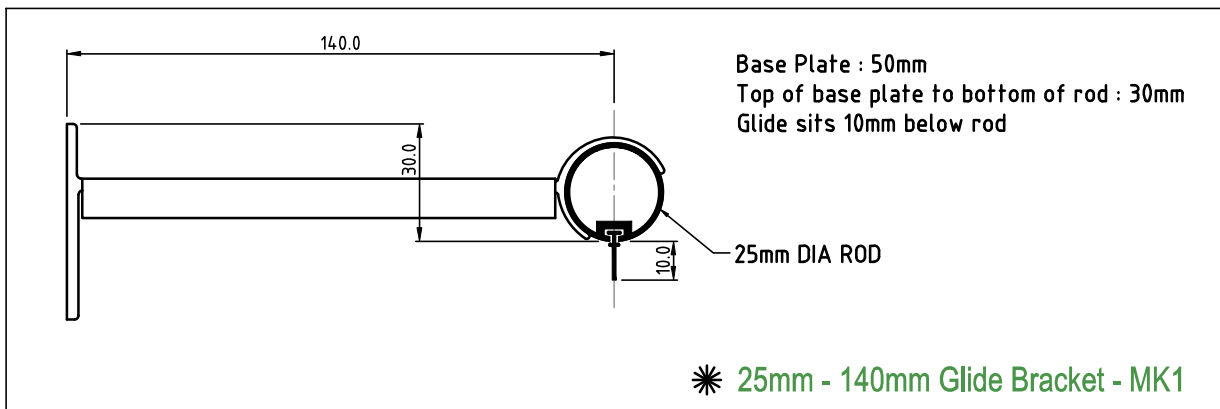
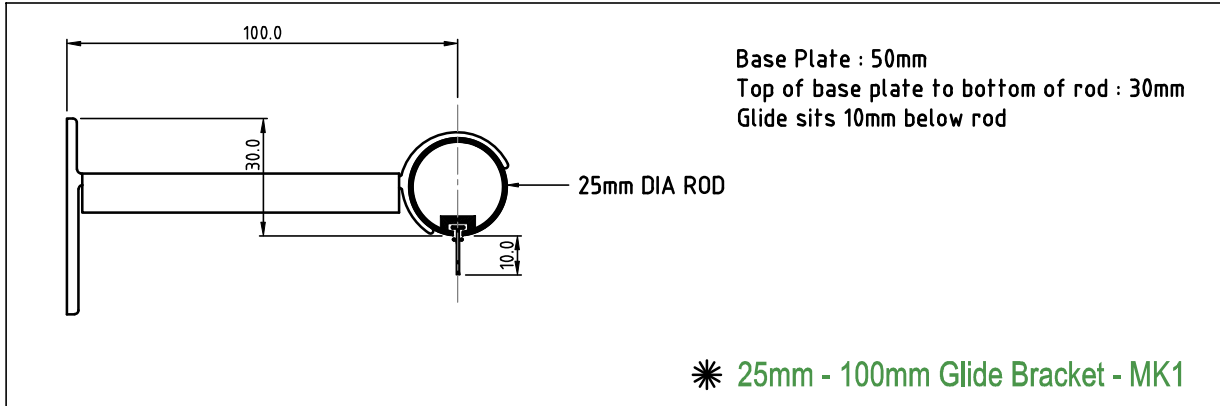


Top of base plate to top of rod : 19mm
Top of base plate to bottom of rod : 46mm
Eyelet on ring sits 10mm below rod

25mm End Wall (Flange) Bracket

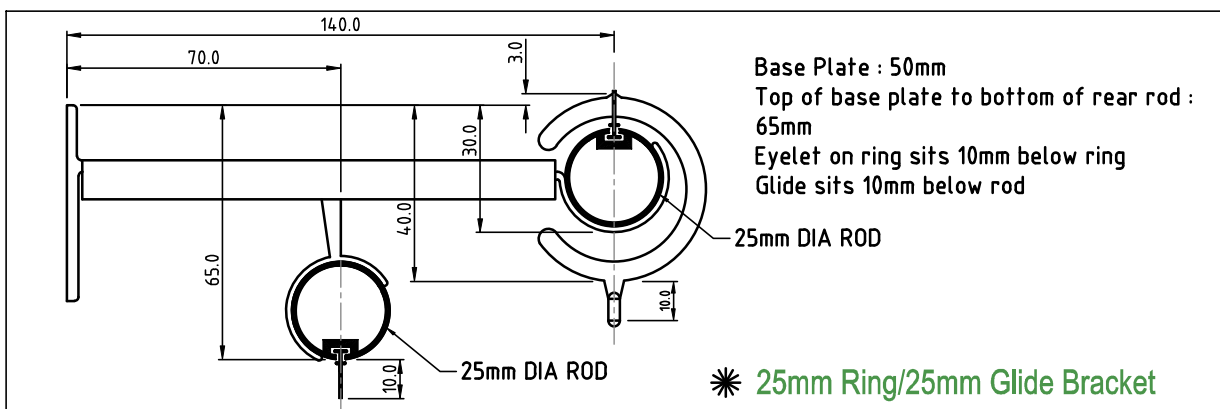
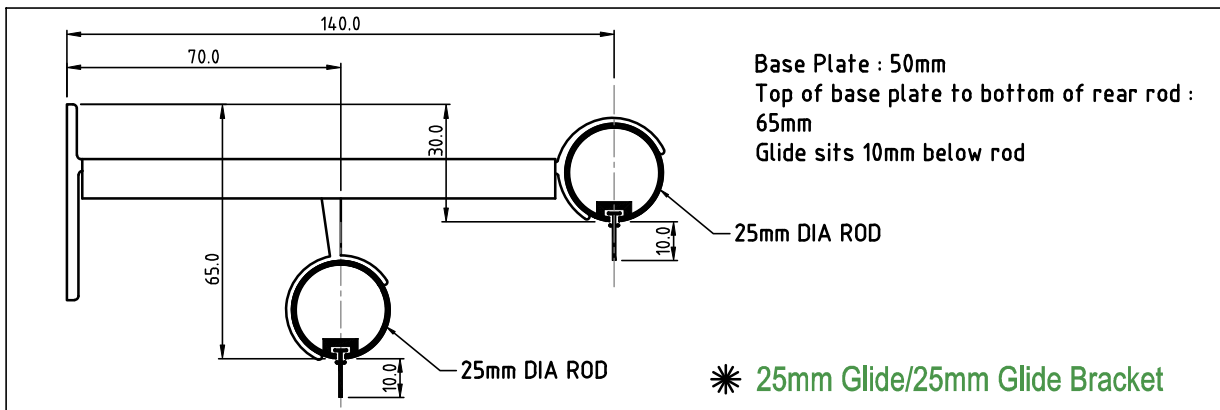
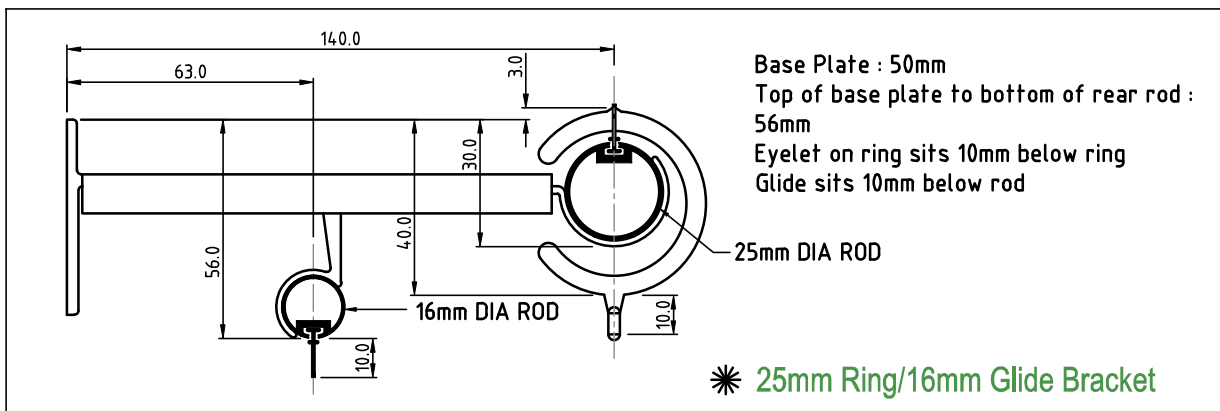
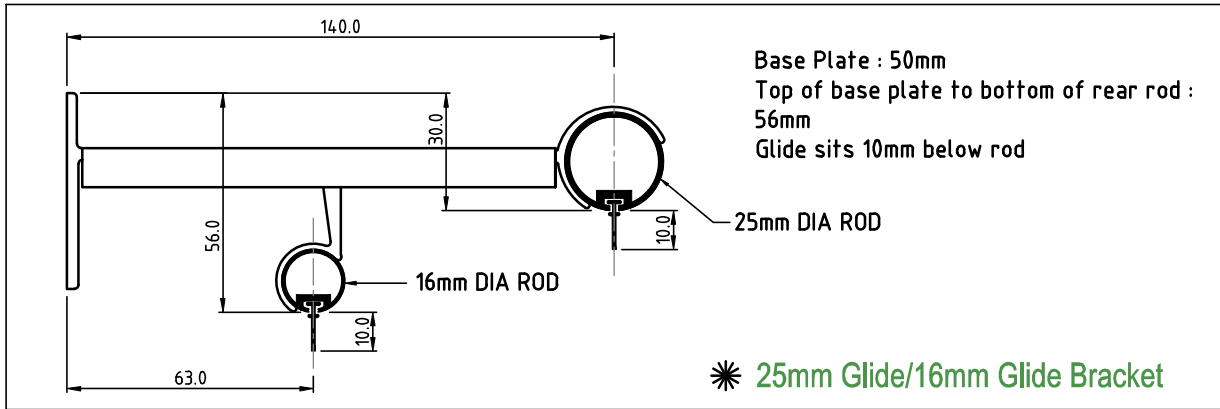


VERSATRAK 25 COMBO SINGLE BRACKETS





VERSATRAK DOUBLE COMBO BRACKETS





VANTAGE SINGLE BRACKETS

Ceiling to top of rod : 20mm
Top of rod sits 20mm below the ceiling

12.0
FIXING HOLE
31.0
20.0
Vantage rod

Vantage Top Fix Bracket

Base Plate : Height 60mm, Width 20mm
Top of rod is 17mm below the top of the base plate

100.0
17.0
Vantage rod

* Vantage 100mm Projection Bracket

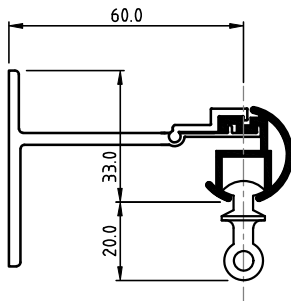
Base Plate : Height 50mm, Width 20mm
Top of rod is level with top of the base plate

140.0
Vantage rod

* Vantage 140mm Projection Bracket

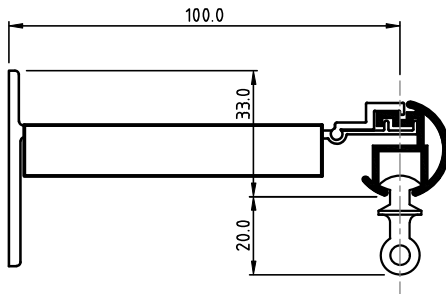


WAVE ROD 25 SINGLE BRACKETS



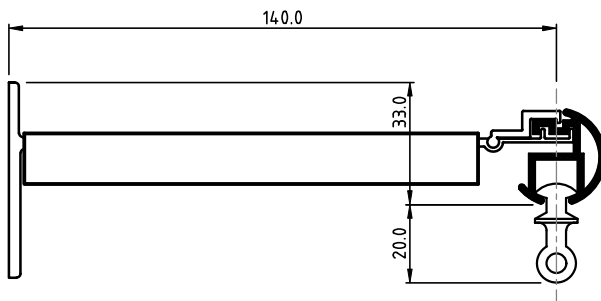
Base Plate : Height 50mm, Width 30mm
Top of base plate to bottom of rod : 33mm
Glide sits 20mm below rod
Wall Plate to centre of rod: 60mm

✱ Wave Rod 25 60mm Bracket



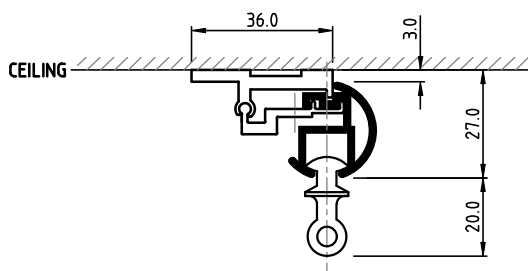
Base Plate : Height 50mm, Width 30mm
Top of base plate to bottom of rod : 33mm
Glide sits 20mm below rod
Wall Plate to centre of rod: 100mm

✱ Wave Rod 25 100mm Bracket



Base Plate : Height 50mm, Width 30mm
Top of base plate to bottom of rod : 33mm
Glide sits 20mm below rod
Wall Plate to centre of rod: 140mm

✱ Wave Rod 25 140mm Bracket

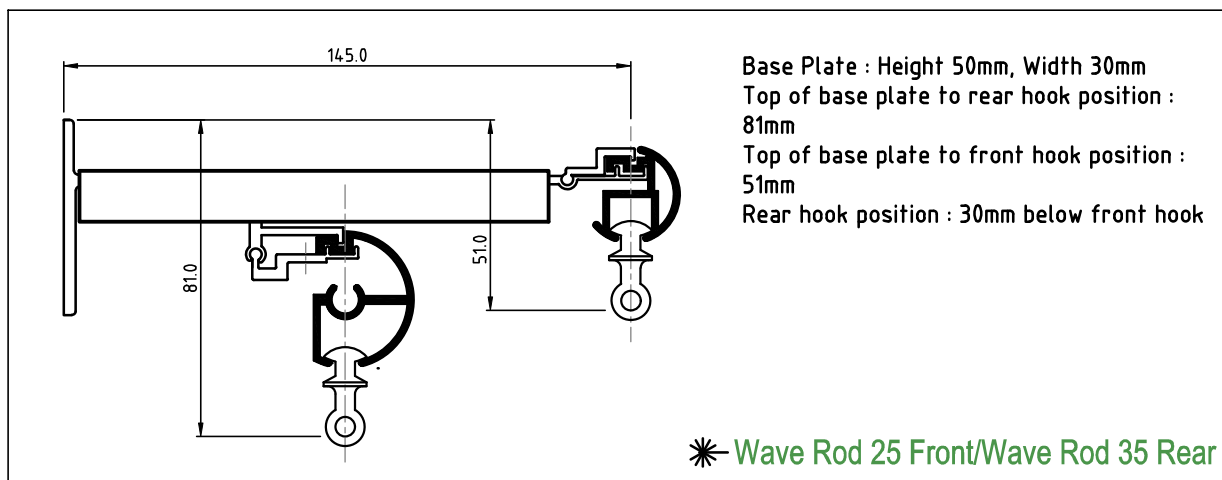
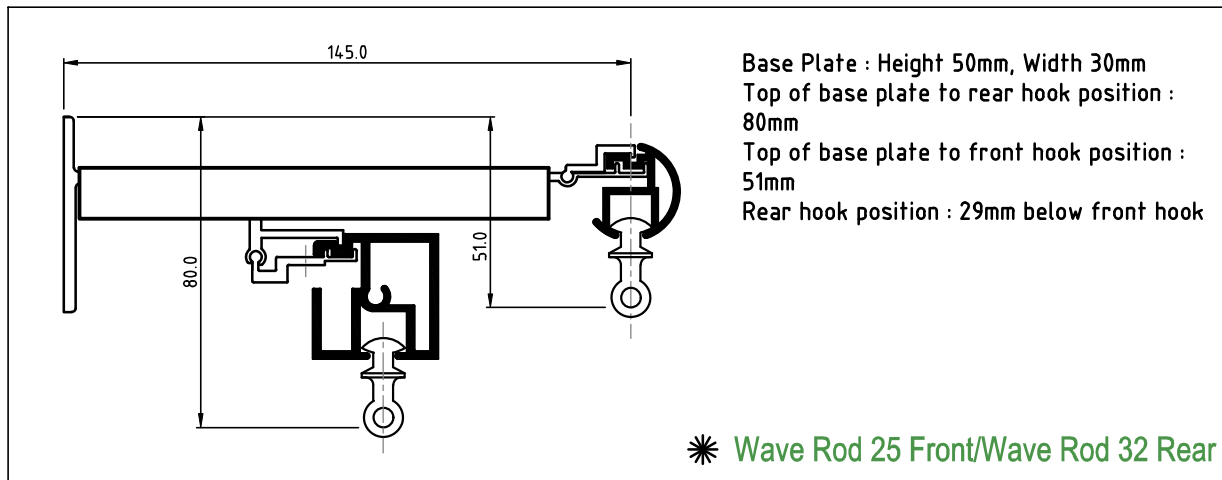
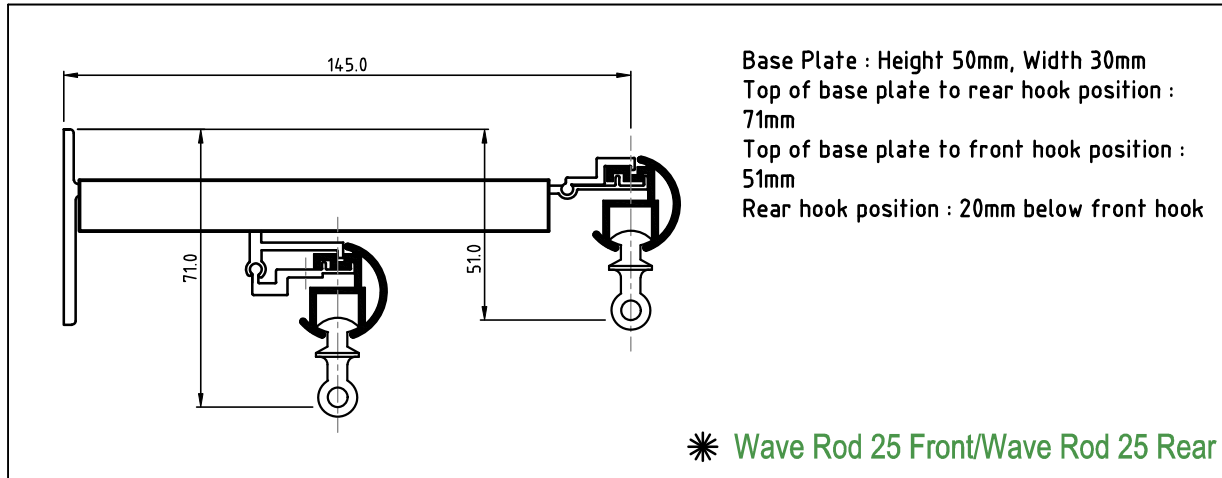


Ceiling Plate : Length 60mm, Width 36mm
Top of Ceiling to top of rod : 3mm
Top of ceiling to bottom of rod : 27mm
Glide sits 20mm below rod

Wave Rod 25 Ceiling Fix Bracket

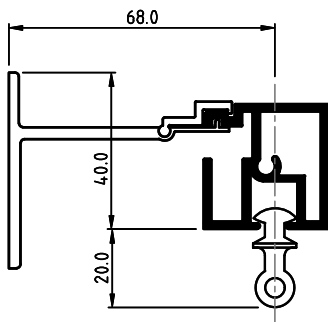


WAVE ROD 25 DOUBLE BRACKETS



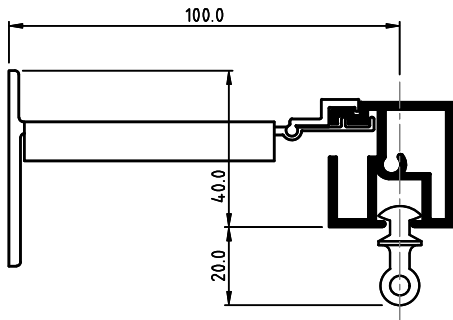


WAVE ROD 32 SINGLE & TOP FIX BRACKETS



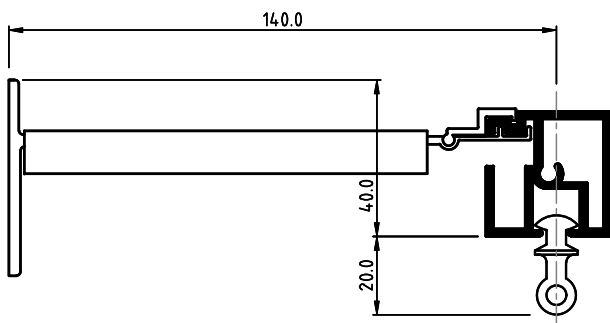
Base Plate : Length 50mm, Width 30mm
Top of base plate to bottom of rod : 40mm
Glide sits 20mm below rod
Wall Plate to centre of rod: 68mm

✱ 32mm Single Bracket



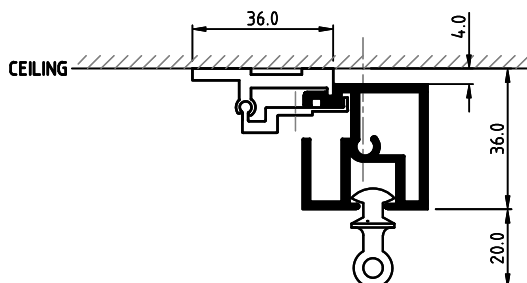
Base Plate : Length 50mm, Width 30mm
Top of base plate to bottom of rod : 40mm
Glide sits 20mm below rod
Wall Plate to centre of rod: 100mm

✱ 32mm MK2 100mm Bracket



Base Plate : Length 50mm, Width 30mm
Top of base plate to bottom of rod : 40mm
Glide sits 20mm below rod
Wall Plate to centre of rod: 140mm

✱ 32mm MK2 140mm Bracket

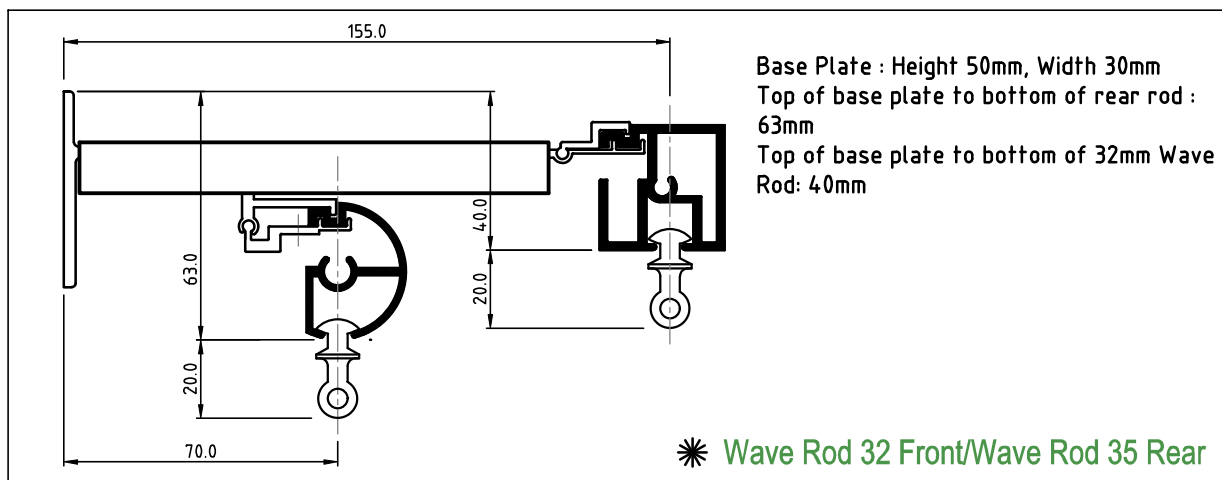
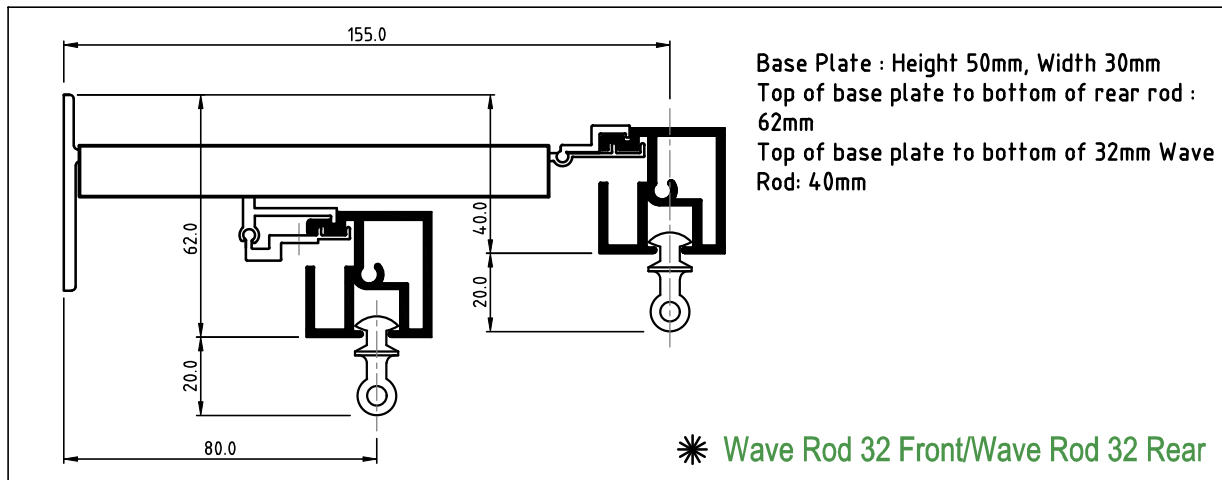
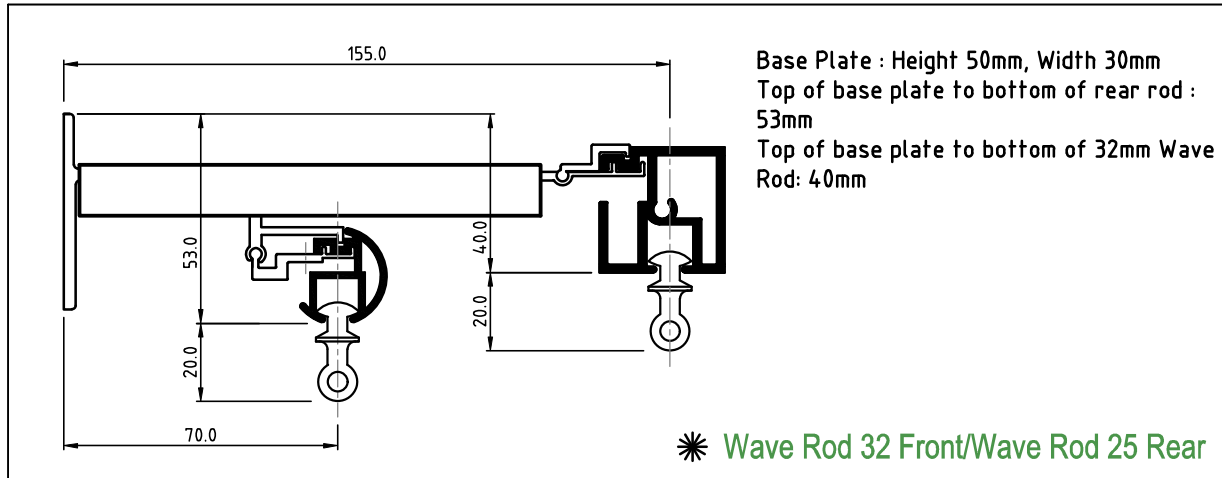


Ceiling Plate : Length 60mm, Width 36mm
Top of Ceiling to top of rod : 4mm
Top of Ceiling to bottom of rod : 36mm
Glide sits 20mm below rod

32mm Ceiling Fix Bracket

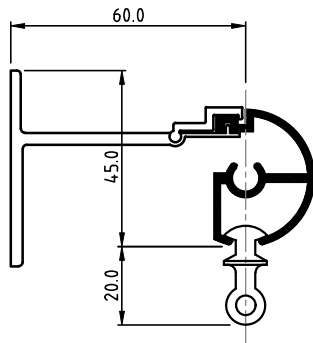


WAVE ROD 32 DOUBLE BRACKETS



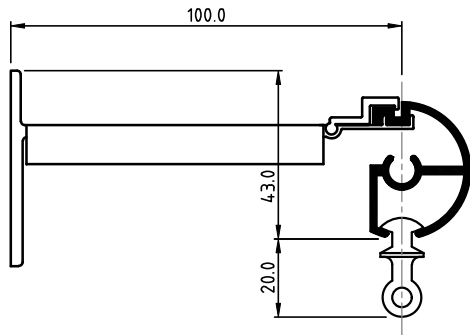


WAVE ROD 35 SINGLE & TOP FIX BRACKETS



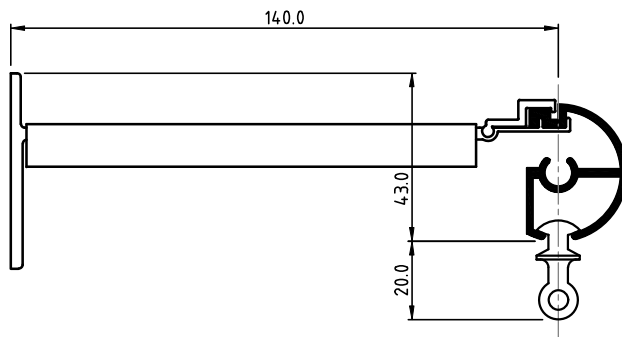
Base Plate : Length 50mm, Width 30mm
Top of base plate to bottom of rod : 45mm
Glide sits 20mm below rod
Wall Plate to centre of rod: 60mm

✱ 35mm Single Bracket



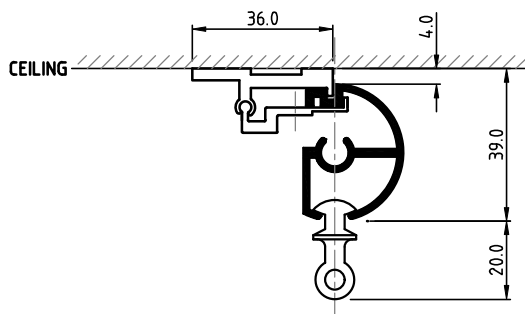
Base Plate : Length 50mm, Width 30mm
Top of base plate to bottom of rod : 43mm
Glide sits 20mm below rod
Wall Plate to centre of rod: 100mm

✱ 35mm MK2 100mm Bracket



Base Plate : Length 50mm, Width 30mm
Top of base plate to bottom of rod : 43mm
Glide sits 20mm below rod
Wall Plate to centre of rod: 140mm

✱ 35mm MK2 140mm Bracket

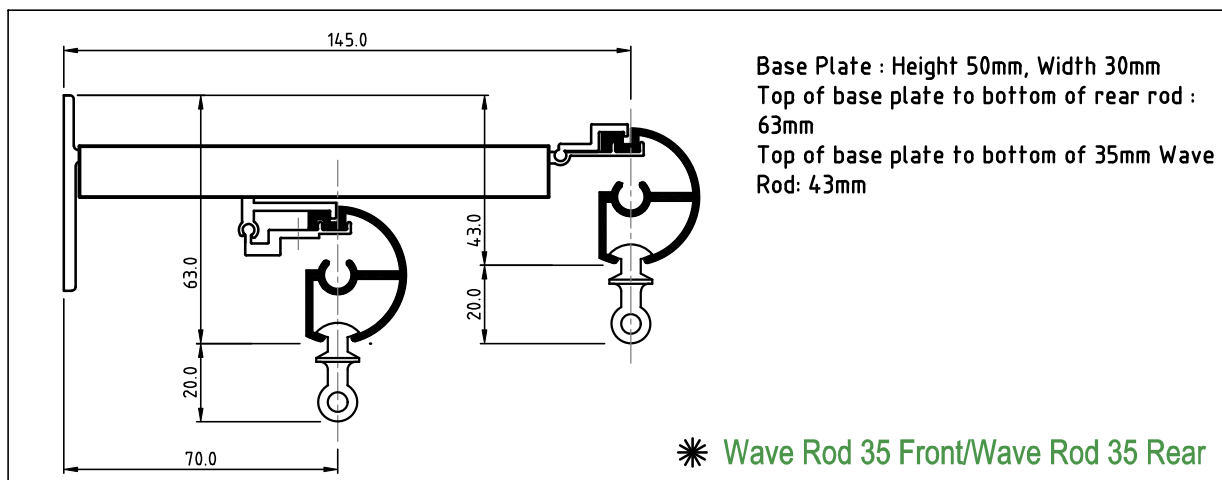
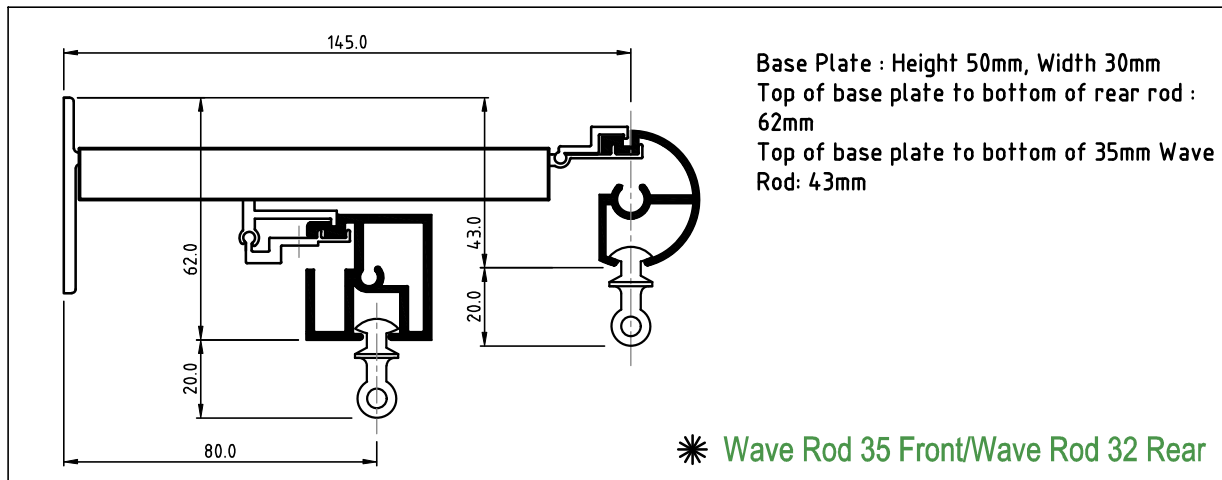
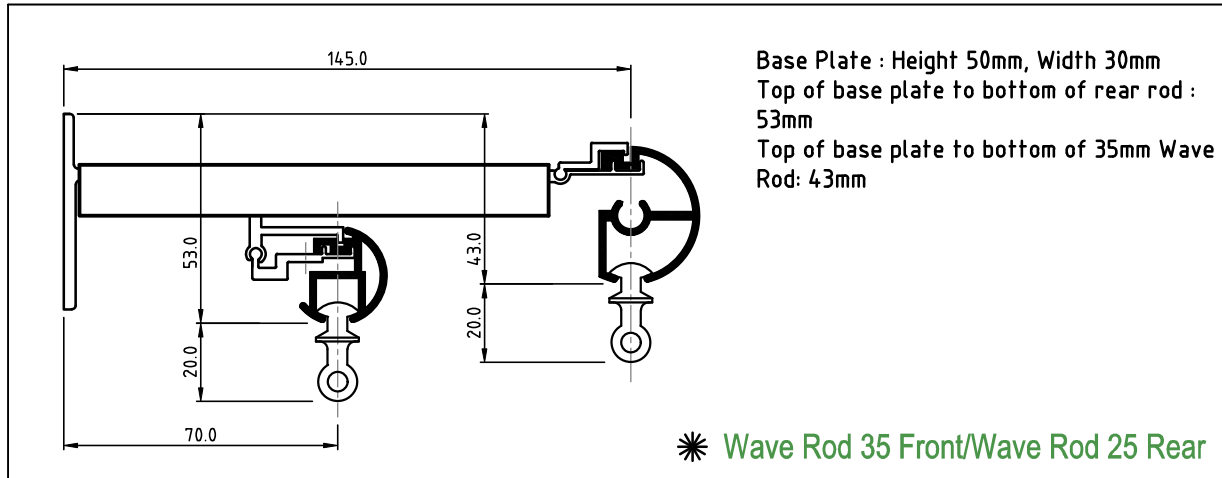


Ceiling Plate : Length 60mm, Width 36mm
Top of Ceiling to top of rod : 4mm
Top of Ceiling to bottom of rod : 39mm
Glide sits 20mm below rod

35mm Ceiling Fix Bracket

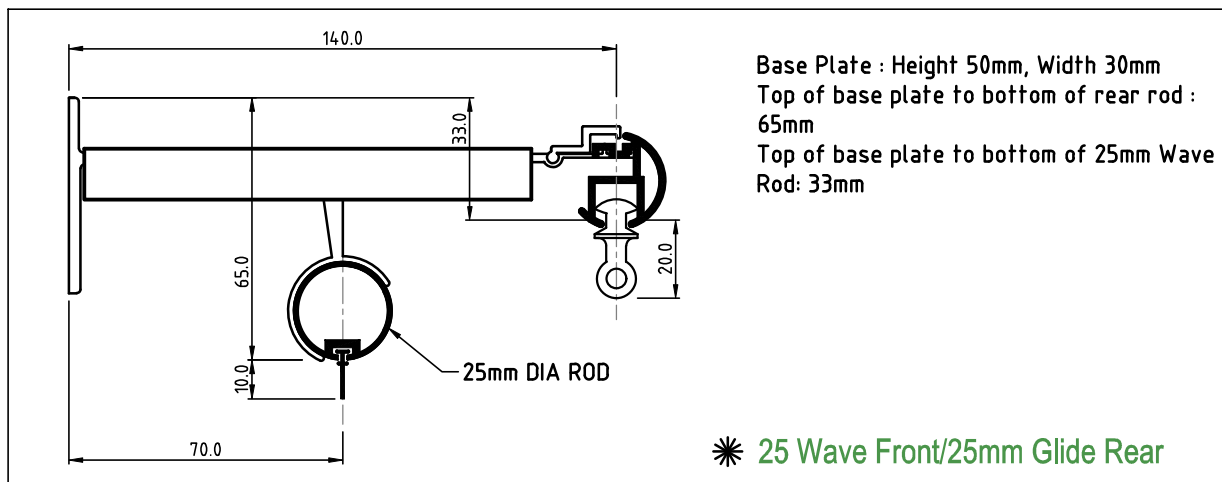
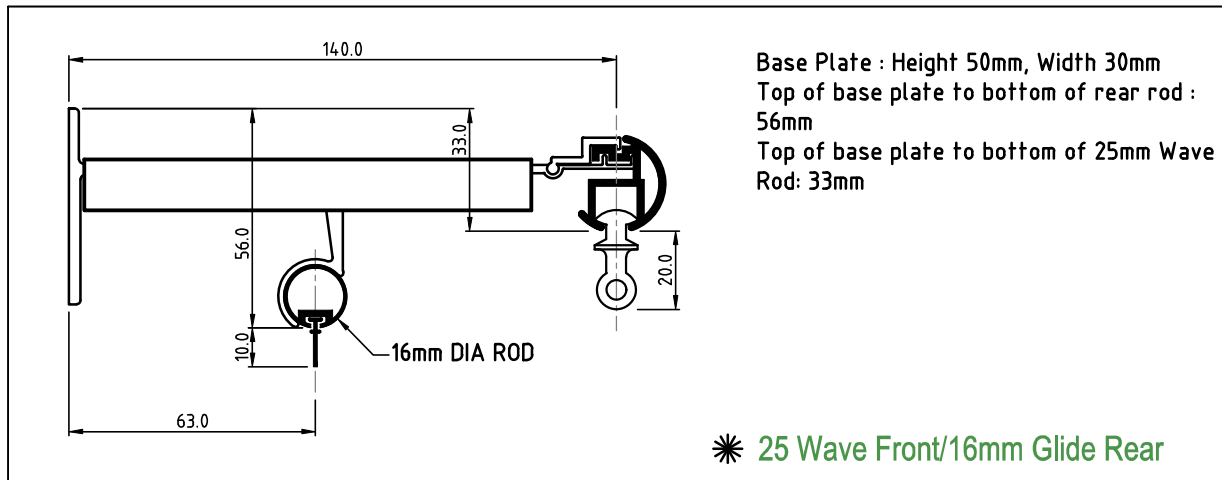


WAVE ROD 35 DOULBE BRACKETS



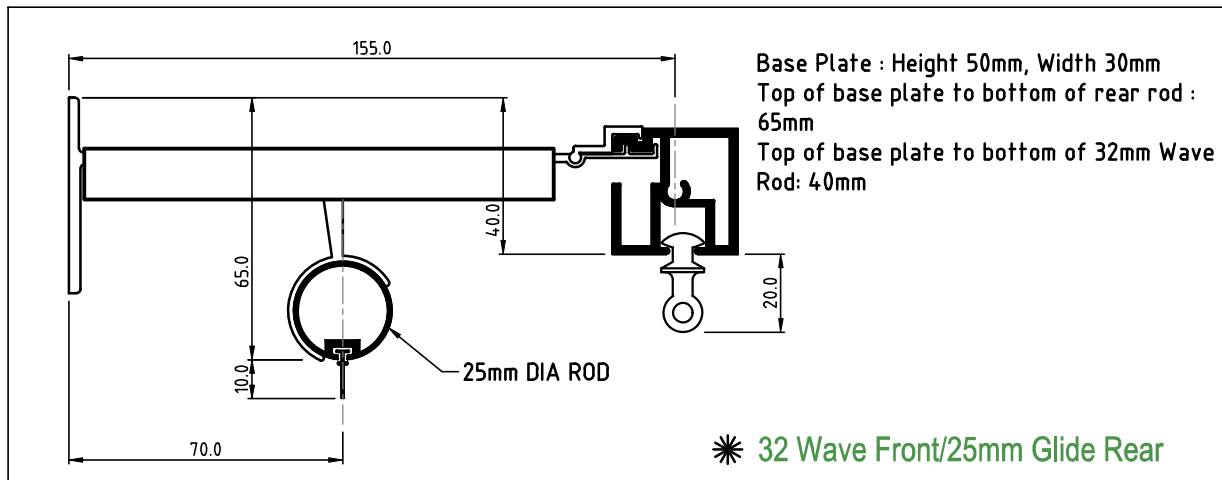
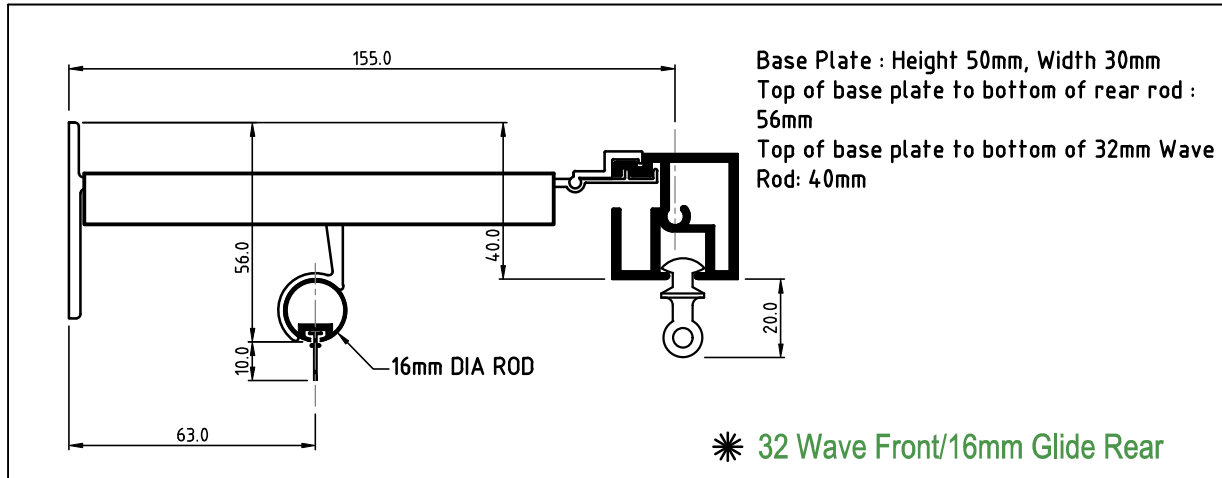


WAVE ROD 25 DOUBLE WITH VT 16 & 25



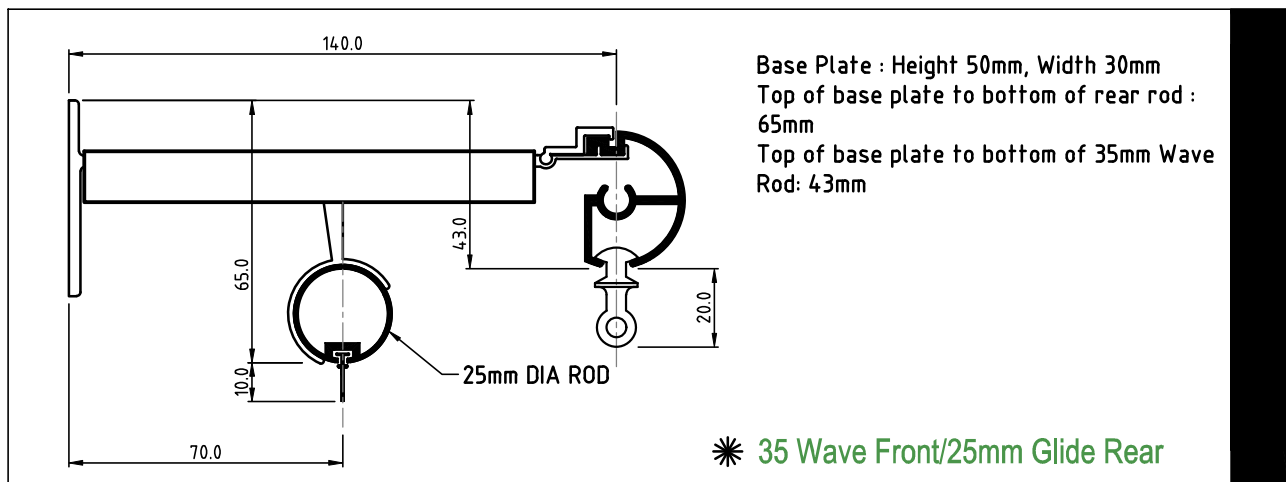
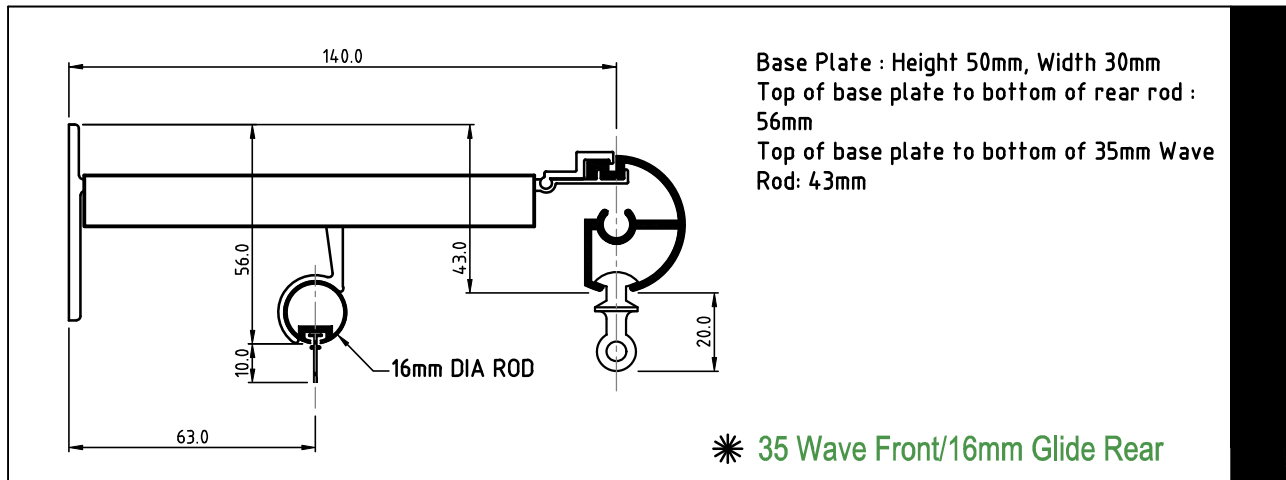


WAVE ROD 32 DOUBLE WITH VT 16 & 25



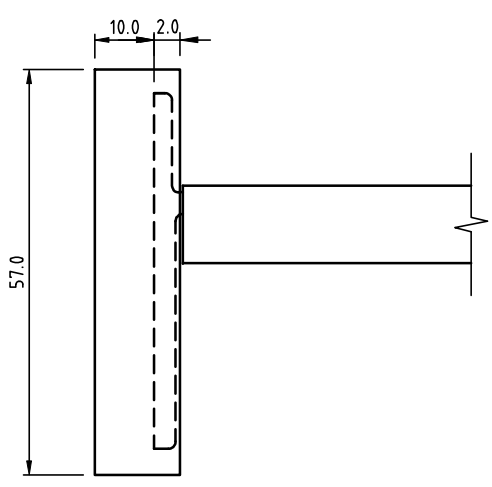


WAVE ROD 35 DOUBLE WITH VT 16 & 25





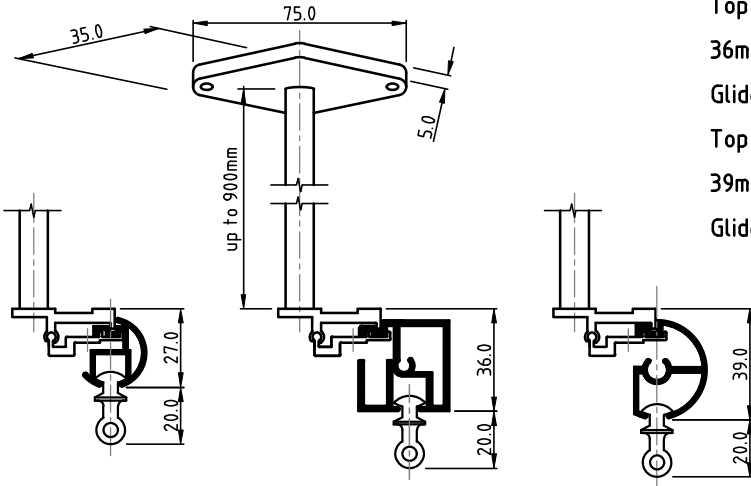
CONCEALED WALL PLATE & WAVE ROD HANGER BRACKET



Concealed Fixing Wall Plate:

- Length : 57mm - add 5mm for distance from top of wall plate to hook/snap positions
- Projection from wall : add 10mm to all measures from wall
- Not available for:
 - 16mm standard GLIDE BKTS
 - 16mm standard RING BKTS
 - All top fix brackets

Concealed Wall Plates



Dropper available up to 900mm drops

Top of clamp to bottom of Wave Rod 25 :
27mm
Glide sits 20mm below rod

Top of clamp to bottom of Wave Rod 32 :
36mm
Glide sits 20mm below rod

Top of clamp to bottom of Wave Rod 35:
39mm
Glide sits 20mm below rod

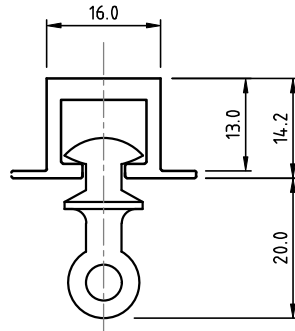
Wave Rod 25 Wave Rod 32 Wave Rod 35

Wave Rod Hanger Bracket



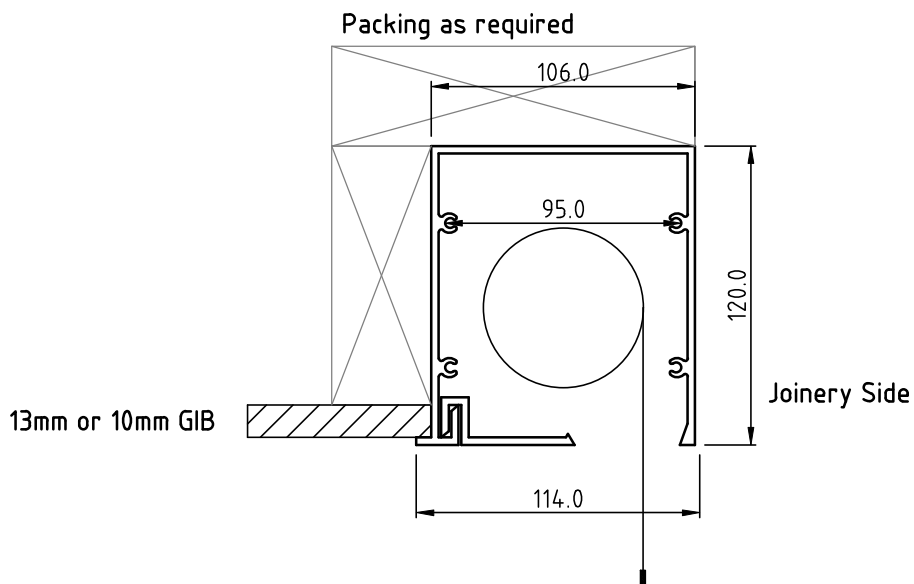
FLUSHFIT & RECESS BOX

Requires 13mm Ceiling Lining



Flushfit Track
Glide sits 20mm below track
Suitable with Wave-Fold
(Not suitable with S-Fold)

Flushfit Recessed Track



Recess Box